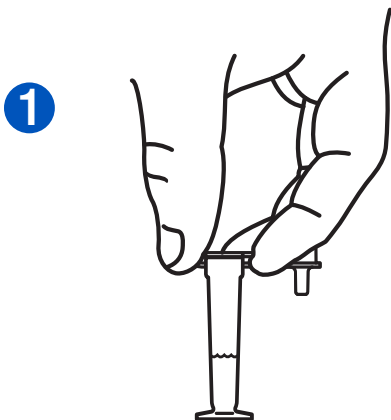
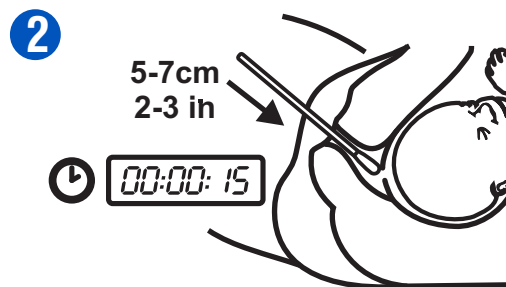


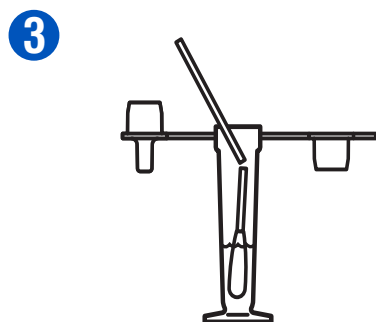
Point of Care



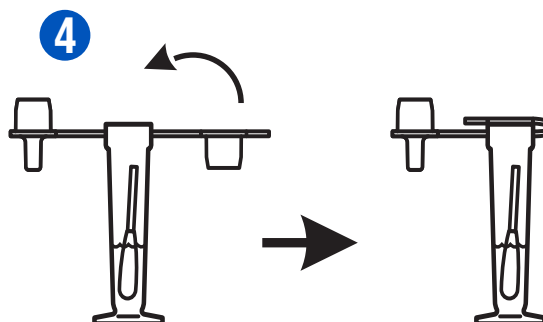
1 Remove contents from package. Holding the buffer vial in an upright position, remove the shipping cap as shown and set the vial aside.



2 Remove swab from its sterile package and collect a sample from the vagina.



3 Place the swab in the buffer, mix the swab in the buffer. Break off the swab tip at the scored mark and leave the tip in the vial.

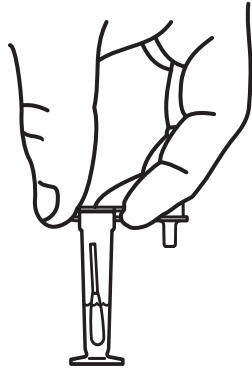


4 Place the **shipping cap** back on the vial and return the vial to the lab.

Warning: The test may report positive results in patients with intact membranes and therefore decisions to induce labor should not be based solely on the ROM Plus test results.

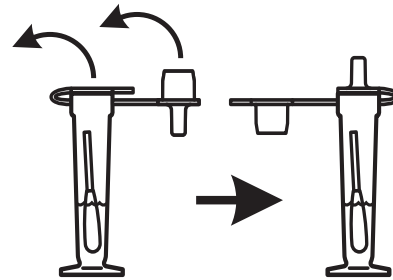
Lab

1



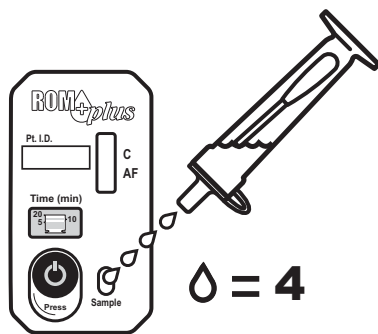
Holding the buffer vial in an upright position, remove the shipping cap as shown.

2



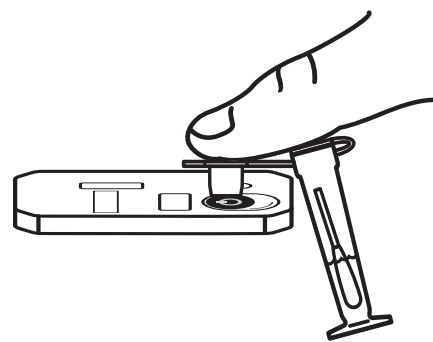
Replace shipping cap with drop dispenser cap.

3



Place 4 to 6 drops of solution into the well on the test cassette.

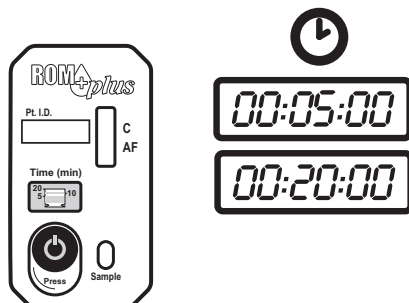
4



Place test cassette on a flat surface and start timer by pressing with your thumb from the bottom of the timer up.

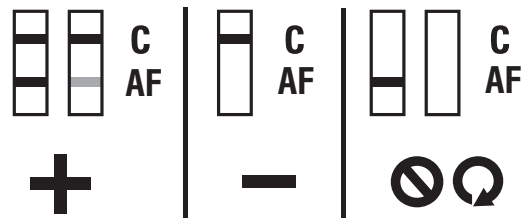
 **Use the buffer vial's shipping cap to more easily activate the timer.**

5



Wait 5-20 minutes for test result to manifest.

6



Read the test result.